




Santa Fe Advance Performance and Technical Specifications

Part Number:	4025699
Blower:	240 CFM (0 IWG)
Kilowatts:	.75 (80°F, 60% RH)
Supply Voltage:	115 volt – 1phase – 60 Hz
Amps:	6.35
Energy Factor:	2.37 
Operating Temp:	56°F Min., 95°F Max.
Capacity:	90 Pints/Day (80°F, 60% RH)
Sized for:	2200 Sq. Ft. - Typical

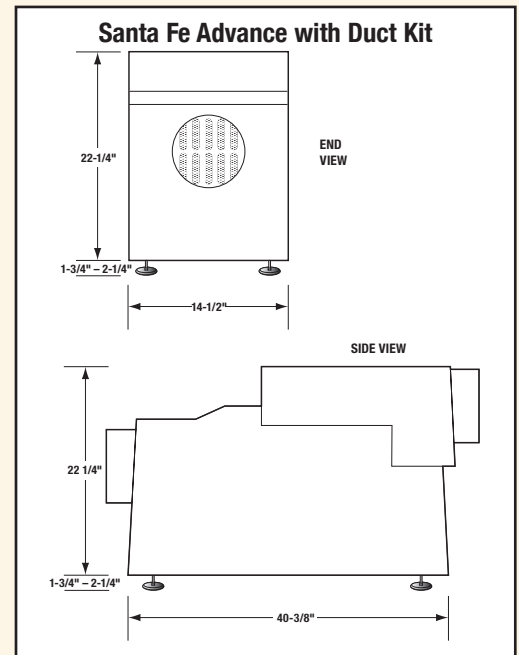
Minimum Performance at Set Conditions

Intake Air:	80°F, 60% RH
Water Removal:	90 Pints/Day
Pints/KWH:	5.1

Filter Efficiency:	MERV-11 (12" x 12" x 1") Standard 65% Efficient ASHRAE Dust Spot Test
--------------------	---

Power Cord:	12' – 115 volt grounded plug
Drain Hose:	.50" ID x 8'

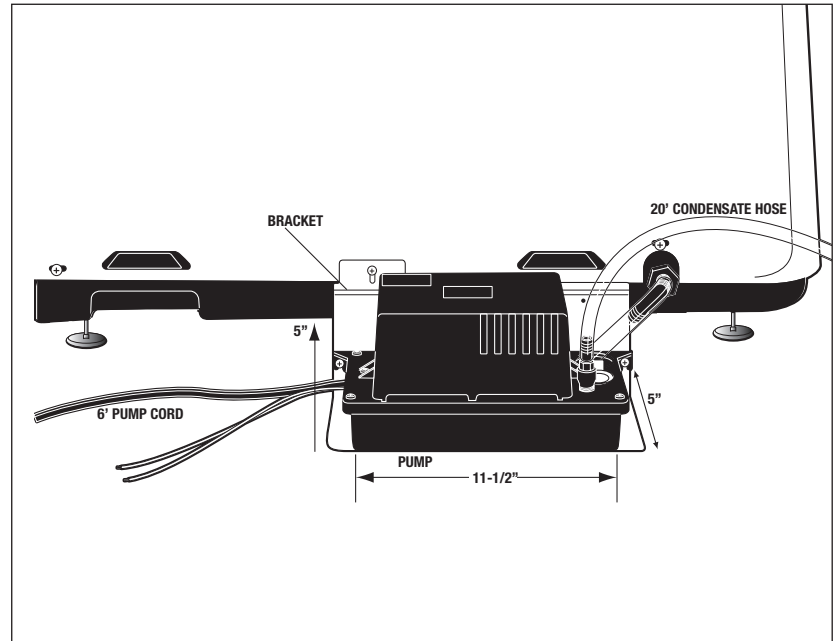
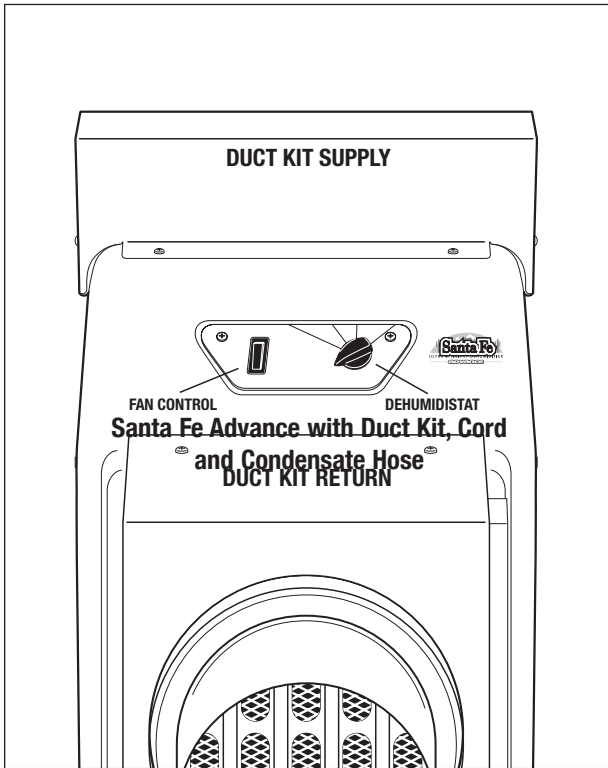
Advance Dimensions:	Packing Dimensions:	Dimensions with Duct Kit:
Width:	22"	14-1/2"
Height:	25"	22-1/4" w/o feet
Depth:	39"	40-3/8"
Weight:	78-1/2 lbs	



Optional Accessories for the Santa Fe Advance

Part No.	Description
4026055	Santa Fe Duct Kit: 8" supply and 8" return collars
4025845	Condensate Pump Kit: 3/8" ID x 20' long hose with 15' lift, pump, mounting bracket
4020175	Honeywell Dehumidistat (Professional Installation Required)
4026607	Casters Kit
4025831	Aluminum Mesh/Foam Pre-Filter
4025568	Standard Filter (12" x 12" x 1") MERV-11



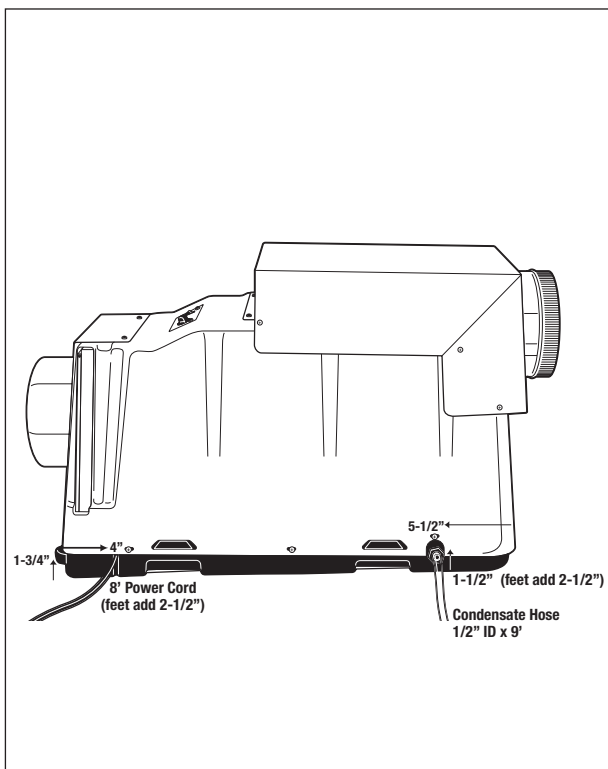


Santa Fe Advance Installation

The Santa Fe Advance is designed for installation in crawlspaces which experience short- to long-term high humidity conditions. This high capacity unit fits in low clearance areas and is 14 1/2" wide to fit through a standard stud wall cavity.

The Santa Fe Advance is the most energy-efficient unit in the industry. It is designed to operate in temperatures between 56°F and 95°F, which typically include the lower temperatures found in crawlspaces.

The optional ducting capability promotes airflow to remote areas in crawlspaces. This ducting option also allows the dehumidifier to be installed in a remote location such as a garage or closet.



Ocean State Air Solutions, Inc.
 Portsmouth, RI 02871
 (401) 293-0422 or Toll Free (866) 865-0425
 Email: info@OceanStateAir.com
 Web Site: www.OceanStateAir.com



P. O. Box 8680
 Madison, WI 53708
www.thermastor.com

Phone 608-222-5301
 Toll-Free 1-800-533-7533
sales@thermastor.com